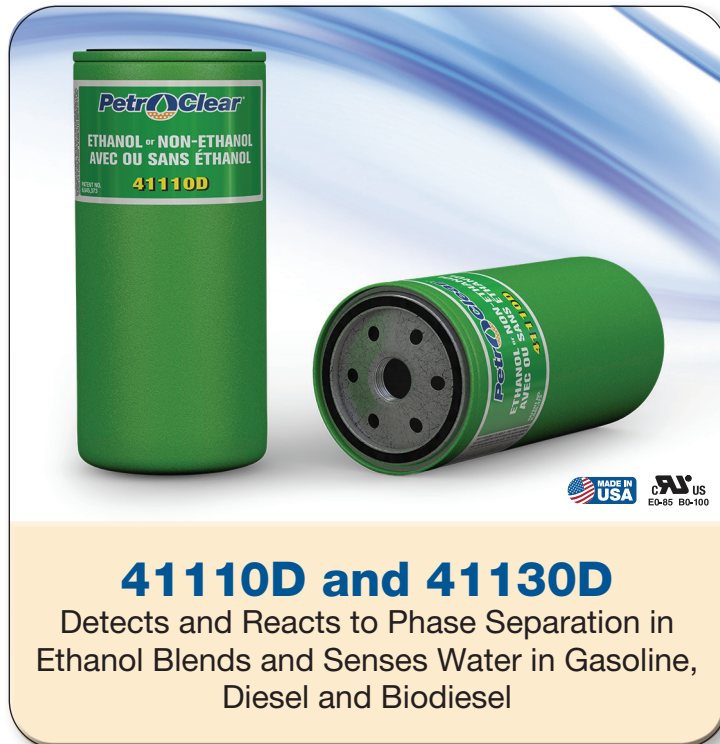
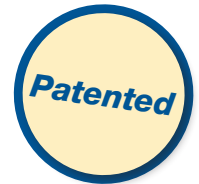


# 411 D Series “Dual Purpose”

Removes Particulate,  
Detects Phase Separation & Senses Water



## 41110D and 41130D

Detects and Reacts to Phase Separation in  
Ethanol Blends and Senses Water in Gasoline,  
Diesel and Biodiesel

FOR DISPOSAL INFORMATION PLEASE CONTACT YOUR NEAREST EPA OFFICE.

## Benefits

- PetroClear® models 41110D and 41130D are spin-on filters designed to remove particulate in gasoline, ethanol blends, diesel and biodiesel. PetroClear® models 41110D and 41130D sense both free and emulsified water in neat gasoline, diesel and biodiesel. PetroClear® models 41110D and 41130D detect and react to phase separation in Ethanol blended gasoline and slow flow as an indicator to the presence of phase separation.
- PetroClear® model 41110D offers efficient 10 micron (nominal) particulate removal, senses both free and emulsified water and detects and reacts to phase separation.
- PetroClear® model 41130D offers efficient 30 micron (nominal) particulate removal, senses both free and emulsified water and detects and reacts to phase separation.
- The “dual purpose” models provide protection during the transition from neat gasoline to ethanol blends without the need to change filters.
- Textured paint coating helps ensure a simple, mess-free installation and removal process.
- UL® recognized.

**PetroClear® Filters are NOT to be used in Aviation Fuel Applications!**

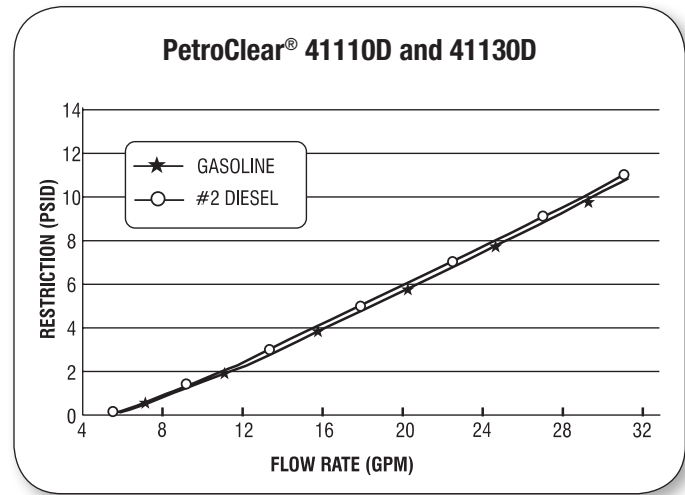
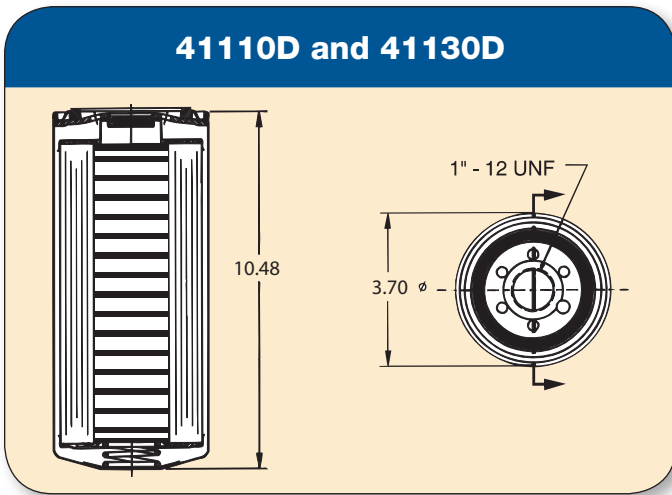
## Specifications

- The PetroClear® model 41110D utilizes a 10 micron (nominal) cellulose media to remove particulate 10 microns (nominal) or larger from neat gasoline, ethanol blends, diesel and biodiesel. The PetroClear® model 41110D also senses water in neat gasoline, diesel and biodiesel. The PetroClear® model 41110D provides phase separation detecting capabilities for ethanol-blended gasoline. It utilizes a super absorbent media for sensing water and a chemical core assembly to detect and react to phase separation.
- The PetroClear® model 41130D utilizes a 30 micron (nominal) cellulose media to remove particulate 30 microns (nominal) or larger from neat gasoline, ethanol blends, diesel and biodiesel. The PetroClear® model 41130D also senses water in neat gasoline, diesel and biodiesel. The PetroClear® model 41130D provides phase separation detecting capabilities for ethanol-blended gasoline. It utilizes a super absorbent media for sensing water and a chemical core assembly to detect and react to phase separation.
- Once PetroClear® models 41110D and 41130D have absorbed 12.8 ounces (378 mil) of water, flow will be noticeably slow.
- The center chemical core assembly detects and reacts to phase separation and significantly restricts flow through filters.
- The maximum flow rate for PetroClear® models 41110D and 41130D is 25 gpm (94.6 lpm). Maximum operating pressure is 50 psid (3.4 bar).
- Collapse pressure is 150 psid (10.3 bar). Maximum operating temperature is 250°F (139°C).
- PetroClear® 41110D and 41130D “Dual Purpose” filters utilize a standard 1" – 12 UNF mounting thread ref. (3/4" flow) required for most spin-on filter Adapters used in Gilbarco, Wayne, Bennett, Tokheim and other major manufacturers’ dispensers, as well as with Adapters used in the aftermarket.
- Adapters are available for models 41110D and 41130D in aluminum and cast iron. These single Adapters are available in both 3/4" and 1" NPT and BSP inlet/outlet threads.

**NOTE:** If you experience frequent filter changes, it is recommended that you have fuel samples analyzed to determine the source of contamination, such as water, dirt, rust, bacteria, phase separation, etc.

# 41110D and 41130D “Dual Purpose”

## Removes Particulate, Detects Phase Separation & Senses Water



Model	41110D	41130D
Filter Type	Spin-On	Spin-On
Media Type	Cellulose* with Super Absorbent Media** and Chemical Core***	Cellulose* with Super Absorbent Media** and Chemical Core***
Micron Rating	10 Micron (nominal)	30 Micron (nominal)
Diameter	3.70"	3.70"
Height	10.48"	10.48"
Mounting Thread	1" – 12 UNF	1" – 12 UNF
Flow Rate	25 gpm (94.6 lpm)	25 gpm (94.6 lpm)
Flow	3/4" flow	3/4" flow
Shell Thickness	0.020	0.020
Gasket Material	Buna N	Buna N
Collapse (Min.)	150 psid (10.3 bar)	150 psid (10.3 bar)
Burst (Min.)	250 psi (17.2 bar)	250 psi (17.2 bar)
Max. Operating Temp.	250°F (139°C)	250°F (139°C)
Min. Operating Temp.	-20°F (-28.9°C)	-20°F (-28.9°C)

\*Particulate Removing, \*\*Water Sensing, \*\*\*Detects Phase Separation

### Available Adapters

Part/Model Number	Description
.75 N1-12	3/4" NPT Inlet/Outlet Ports, 1" – 12 UNF (cast iron)
.75 N1-12A	3/4" NPT Inlet/Outlet Ports, 1" – 12 UNF (aluminum)
1.00N-12	1" NPT Inlet/Outlet Ports, 1" – 12 UNF (cast iron)
1.00N1-12A	1" NPT Inlet/Outlet Ports, 1" – 12 UNF (aluminum)
.75 B1-12	3/4" BSP Inlet/Outlet Ports, 1" – 12 UNF (aluminum)
1.00B1-12	1" BSP Inlet/Outlet Ports, 1" – 12 UNF (aluminum)