

# 409 SERIES

## Agricultural Water Sensing & Particulate Removing



### 40910WA and 40930WA

Extended Life Water Sensing Agricultural Water Sensing in Neat Gasoline and Diesels

FOR DISPOSAL INFORMATION PLEASE CONTACT YOUR NEAREST EPA OFFICE.

### Specifications

- The PetroClear® model 40910WA utilizes a 10 micron (nominal) cellulose media to remove particulate from gasolines and diesel fuels including Biodiesel and ULSD (Ultra Low Sulfur Diesel). Removes particulate 10 microns (nominal) or larger, and utilizes a super absorbent media that is laminated to the filter media for water sensing capabilities in neat gasoline and diesel fuel.
- The PetroClear® model 40930WA utilizes a 30 micron (nominal) cellulose media to remove particulate from gasolines and diesel fuels including Biodiesel and ULSD (Ultra Low Sulfur Diesel). Removes particulate 30 microns (nominal) or larger, and utilizes a super absorbent media that is laminated to the filter media for water sensing capabilities in neat gasoline and diesel fuel.
- Once PetroClear® models 40910WA and 40930WA have absorbed 10.7 ounces (315 mil) of water from neat gasoline or diesel fuel, flow will be noticeably slow.
- The maximum flow rate for PetroClear® models 40910WA and 40930WA is 25 gpm (94.6 lpm). Maximum operating pressure is 50 psid (3.4 bar). Collapse pressure is 150 psid (10.3 bar). Maximum operating temperature is 250°F (139°C).
- PetroClear® models 40910WA and 40930WA utilize a standard 1.375"-12 UNF mounting thread ref. (1" flow) required for most spin-on filter adapters used in aftermarket and agricultural applications.
- PetroClear® models 40910WA and 40930WA utilize an epoxy coated interior shell to eliminate oxidation (rusting), which can cause pinhole leaks from the inside of the filter shell.
- Adapters are available for models 40910WA and 40930WA in cast iron. These single adapters are available in 1" NPT inlet/outlet thread.

### Benefits

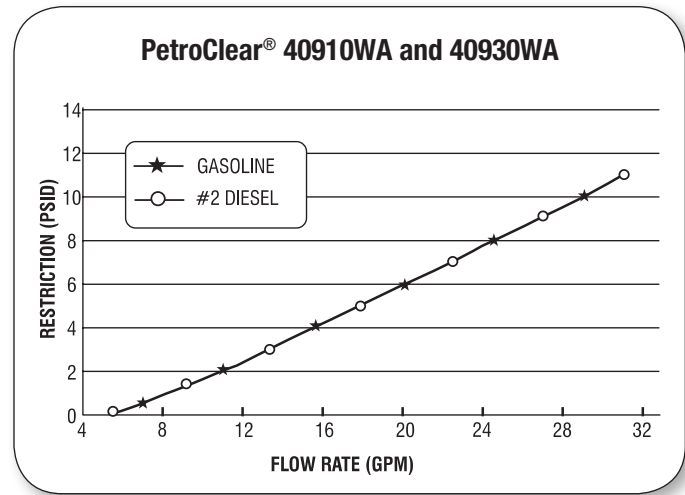
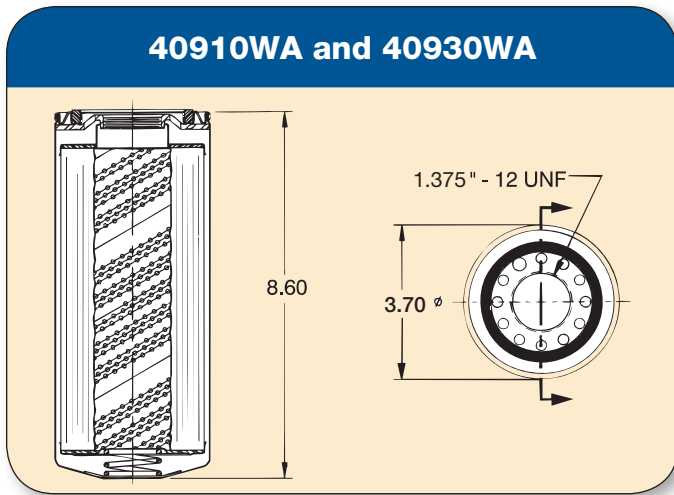
- PetroClear® models 40910WA and 40930WA are particulate removing and water sensing spin-on filters designed to remove particulate and to sense both free and emulsified water from neat gasoline, diesel, Biodiesel, ULSD (Ultra Low Sulfur Diesel), kerosene and fuel oils.
- PetroClear® models 40910WA and 40930WA are particulate and water sensing spin-on filters. These filters are designed to sense water, both free and emulsified, and slow flow as an indicator of the presence of water in neat gasoline and diesel fuels. This filter will not sense nor react to water in Ethanol blended gasoline. (Reaction known as phase separation)
- PetroClear® model 40910WA filter offers efficient 10 micron (nominal) particulate removal and senses both free and emulsified water in neat gasoline and diesel fuel.
- PetroClear® model 40930WA filter offers efficient 30 micron (nominal) particulate removal and senses both free and emulsified water in neat gasoline and diesel fuel.
- Will not detect phase separation in Ethanol blended fuels.
- Compatible with Biodiesel, Kerosene, Fuel Oil, ULSD (Ultra Low Sulfur Diesel), and Diesel fuels.
- Textured paint coating helps ensure a simple, mess-free installation and removal process.

**PetroClear® Filters are NOT to be used in Aviation Fuel Applications!**

**NOTE:** If you experience frequent filter changes, it is recommended that you have fuel samples analyzed to determine the source of contamination, such as water, dirt, rust, bacteria, phase separation, etc.

# 40910WA AND 40930WA

## Agricultural



Model	40910WA	40930WA
Filter Type	Spin-On	Spin-On
Media Type	*Cellulose with Super Absorbent Media	*Cellulose with Super Absorbent Media
Micron Rating	10 Micron (nominal)	30 Micron (nominal)
Diameter	3.70"	3.70"
Height	8.60"	8.60"
Mounting Thread	1.375" - 12 UNF	1.375" - 12 UNF
Flow Rate	25 gpm (94.6 lpm)	25 gpm (94.6 lpm)
Flow	1" flow	1" flow
Shell Thickness	0.020	0.020
Gasket Material	Buna N	Buna N
Collapse (Min.)	150 psid (10.3 bar)	150 psid (10.3 bar)
Burst (Min.)	250 psi (17.2 bar)	250 psi (17.2 bar)
Max. Operating Temp.	250°F (139°C)	250°F (139°C)

\*Water Sensing & Particulate Removing

### Available Adapters

Part/Model Number	Description
1.00N13/8-12	1" NPT Inlet/Outlet Ports, 1.375" -12 UNF (cast iron)